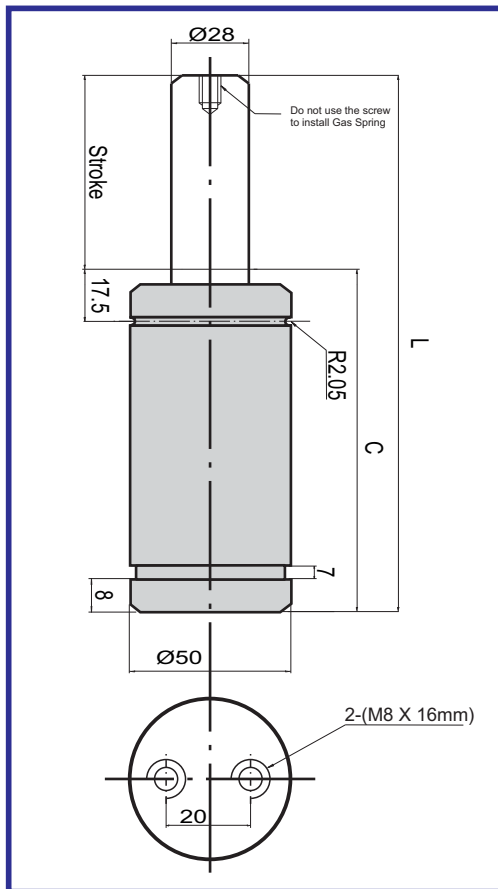
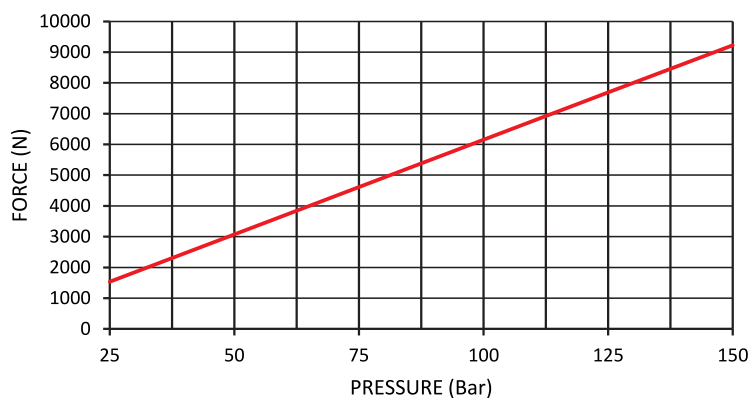
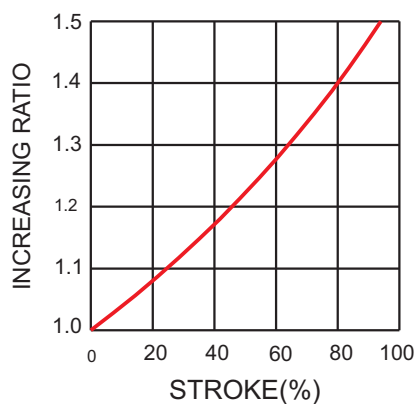


## ▶ Gas Spring - NFS-S4-B-1000 Series



Code	Stroke	L	C	Initial Force	End Force
	mm	mm	mm	Kg (N)	Kg (N)
		±0.2	-0.2		
NFS-S4-B-1000	13	121	108	938(9200)	1142 (11200)
	25	145	120		1233 (12100)
	38	171	133		1304 (12800)
	50	195	145		1345 (13200)
	63	221	158		1376 (13500)
	75	245	170		1396 (13700)
	80	255	175		1406 (13800)
	100	295	195		1437 (14100)
	125	345	220		1457 (14300)
	150	395	245		1478 (14500)
	160	415	255		1478 (14500)
	175	445	270		1488 (14600)
	200	495	295		1498 (14700)
250	595	345	1508 (14800)		
300	695	395	1518 (14900)		

## ▶ Charging Pressure / Force Increase Factor



## ▶ Gas Spring Mountings



**50 - BTC**  
Ref Page No.97



**50 - BSP(A/B)**  
Ref Page No.97



**50 - TPC**  
Ref Page No.99



**50 - STPC**  
Ref Page No.98



**50 - FLC**  
Ref Page No.99

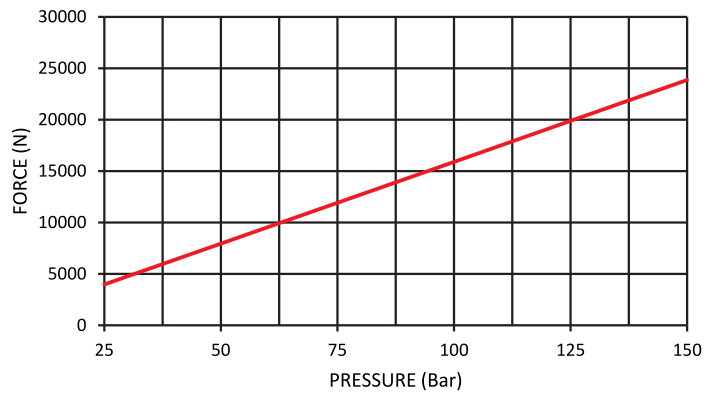
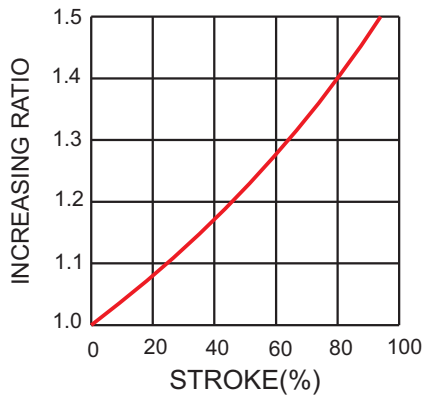


**50 - FLCA**  
Ref Page No.100

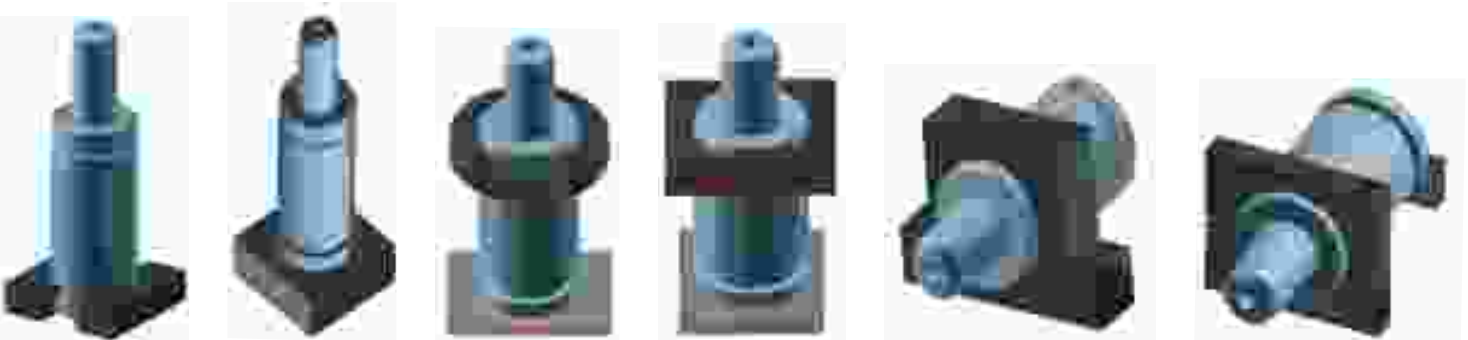
## ▶ Gas Spring - NFS-S4-B-2400 Series

Code	Stroke	L	C	Initial Force	End Force
	mm	mm	mm	Kg (N)	Kg (N)
		±0.2	-0.2		
NFS-S4-B-2400	25	160	135	2446 (24000)	3782 (37100)
	38	186	148		3833 (37600)
	50	210	160		3863 (37900)
	63	236	173		3884 (38100)
	75	260	185		3904 (38300)
	80	270	190		3904 (38300)
	100	310	210		3924 (38500)
	125	360	235		3945 (38700)
	150	410	260		3955 (38800)
	160	430	270		3955 (38800)
	175	460	285		3965 (38900)
	200	510	310		3965 (38900)
	250	610	360		3975 (39000)
300	710	410	3985 (39100)		

## ▶ Charging Pressure / Force Increase Factor



## ▶ Gas Spring Mountings



**75 - BTC**  
Ref Page No.97

**75 - BSP(A/B)**  
Ref Page No.97

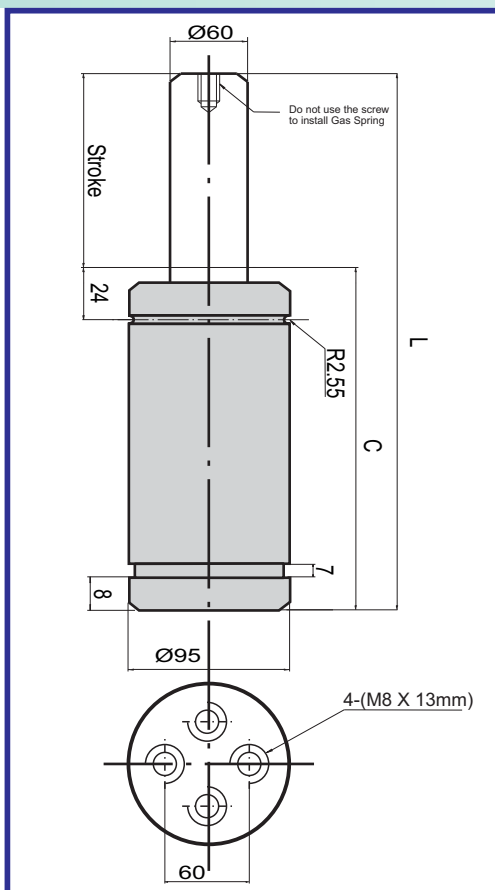
**75 - TPC**  
Ref Page No.99

**75 - STPC**  
Ref Page No.98

**75 - FLC**  
Ref Page No.99

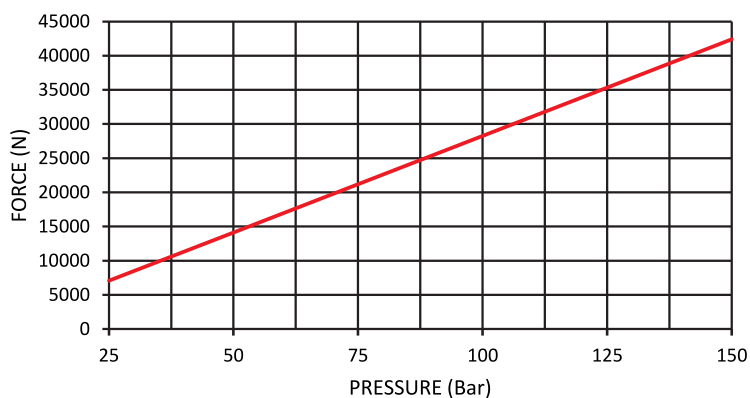
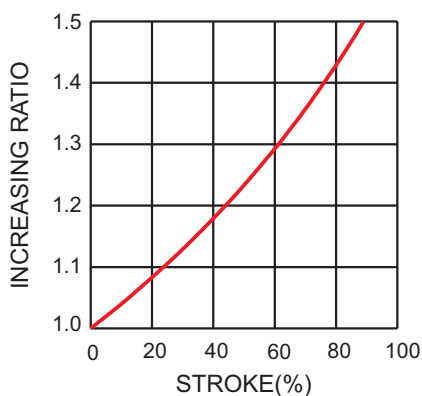
**75 - FLCA**  
Ref Page No.100

## ▶ Gas Spring - NFS-S4-B-4200 Series



Code	Stroke	L	C	Initial Force	End Force
	mm	mm	mm	Kg (N)	Kg (N)
	±0.2	-0.2			
NFS-S4-B-4200	25	170	145	4281 (42000)	5311 (52100)
	38	196	158		5617 (55100)
	50	220	170		5831 (57200)
	63	246	183		6014 (59000)
	75	270	195		6147 (60300)
	80	280	200		6198 (60800)
	100	320	220		6371 (62500)
	125	370	245		6524 (64000)
	150	420	270		6636 (65100)
	160	440	280		6677 (65500)
	175	470	295		6728 (66000)
	200	520	320		6809 (66800)
	250	620	370		6921 (67900)
300	720	420	7003 (68700)		

## ▶ Charging Pressure / Force Increase Factor



## ▶ Gas Spring Mountings



**95 - BTC**  
Ref Page No.97



**95 - BSP(A/B)**  
Ref Page No.97



**95 - TPC**  
Ref Page No.99



**95 - STPC**  
Ref Page No.98

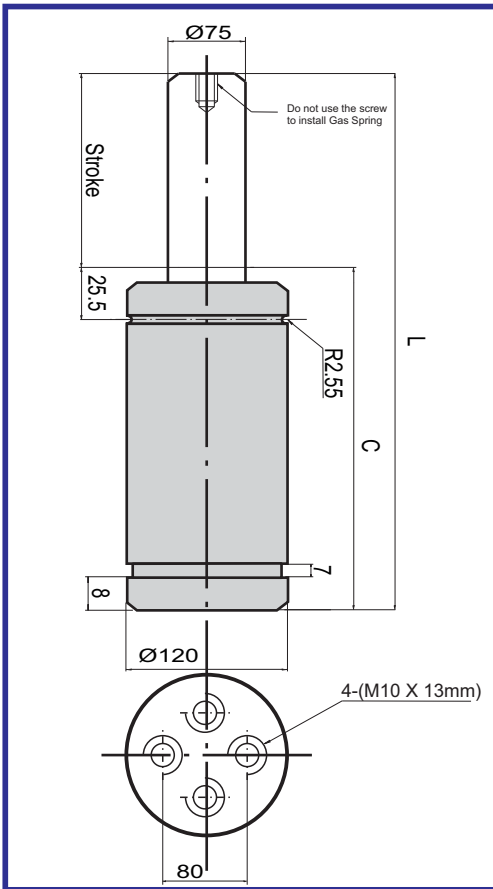


**95 - FLC**  
Ref Page No.99



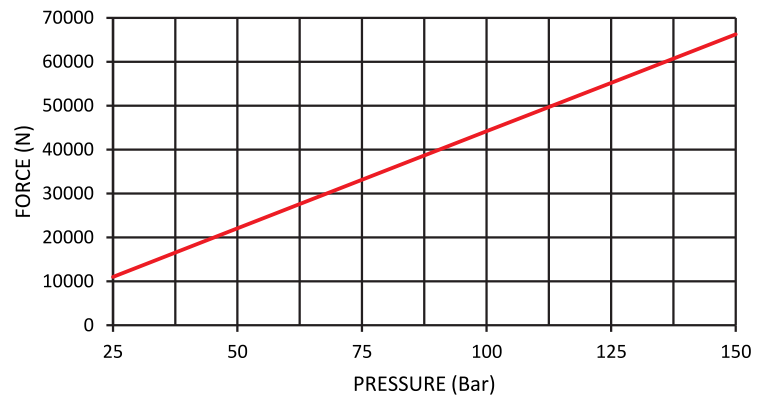
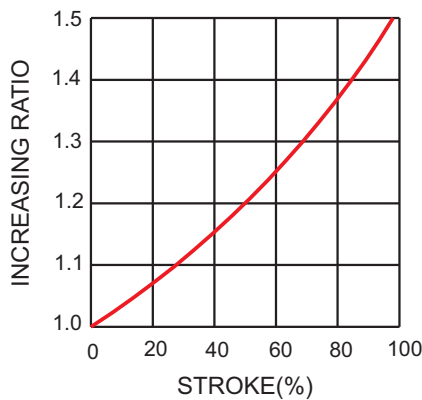
**95 - FLCA**  
Ref Page No.100

## ▶ Gas Spring - NFS-S4-B-6600 Series



Code	Stroke	L	C	Initial Force	End Force
	mm	mm	mm	Kg (N)	Kg (N)
		±0.2	-0.2		
NFS-S4-B-6600	25	190	165	6758 (66300)	8104 (79500)
	38	216	178		8552 (83900)
	50	240	190		8868 (87000)
	63	266	203		9144 (89700)
	75	290	215		9358 (91800)
	80	300	220		9439 (92600)
	100	340	240		9694 (95100)
	125	390	265		9949 (97600)
	150	440	290		10143 (99500)
	160	460	300		10204 (100100)
	175	490	315		10296 (101000)
	200	540	340		10418 (102200)
	250	640	390		10601 (104000)
300	740	440	10734 (105300)		

## ▶ Charging Pressure / Force Increase Factor



## ▶ Gas Spring Mountings



**120 - BTC**  
Ref Page No.97



**120 - BSP(A/B)**  
Ref Page No.97



**120 - TPC**  
Ref Page No.99



**120 - STPC**  
Ref Page No.98

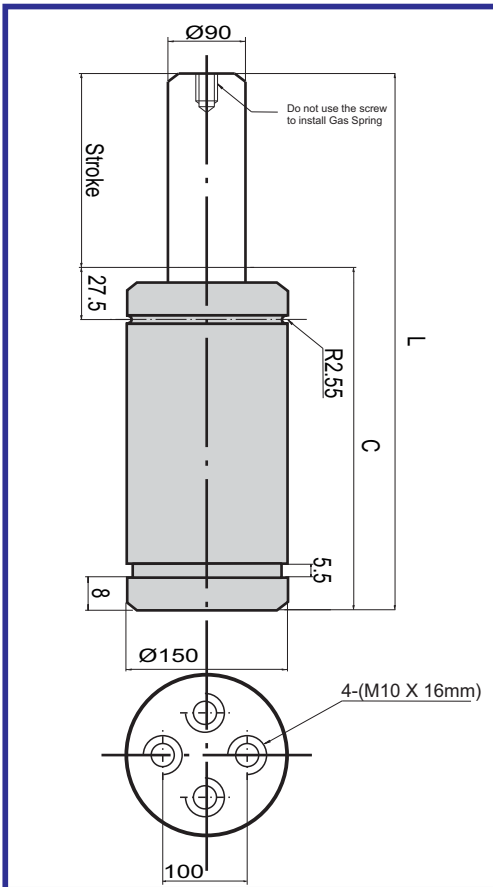


**120 - FLC**  
Ref Page No.99



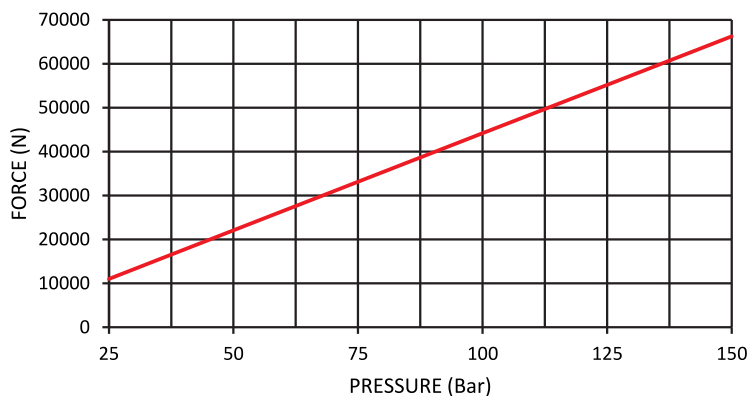
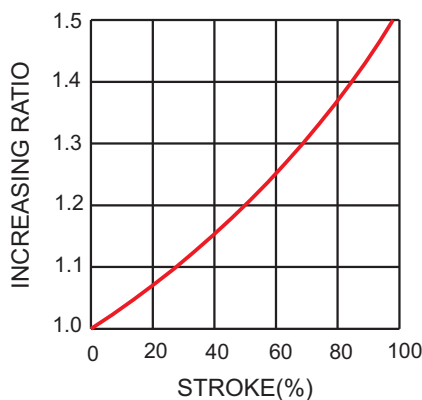
**120 - FLCA**  
Ref Page No.100

## ▶ Gas Spring - NFS-S4-B-9500 Series



Code	Stroke	L	C	Initial Force	End Force
	mm	mm	mm	Kg (N)	Kg (N)
	±0.2	-0.2			
NFS-S4-B-9500	25	205	180	9684(95000)	11539 (113200)
	38	231	193		12130 (119000)
	50	255	205		12569 (123300)
	63	281	218		12946 (127000)
	75	305	230		13221 (129700)
	80	315	235		13333 (130800)
	100	355	255		13690 (134300)
	125	405	280		14026 (137600)
	150	455	305		14291 (140200)
	160	475	315		14373 (141000)
	175	505	330		14495 (142200)
	200	555	355		14658 (143800)
250	655	405	14913 (146300)		
300	755	455	15107 (148200)		

## ▶ Charging Pressure / Force Increase Factor



## ▶ Gas Spring Mountings



**150 - BTC**  
Ref Page No.97



**150 - BSP(A/B)**  
Ref Page No.97



**150 - TPC**  
Ref Page No.99



**150 - STPC**  
Ref Page No.98



**150 - FLC**  
Ref Page No.99



**150 - FLCA**  
Ref Page No.100